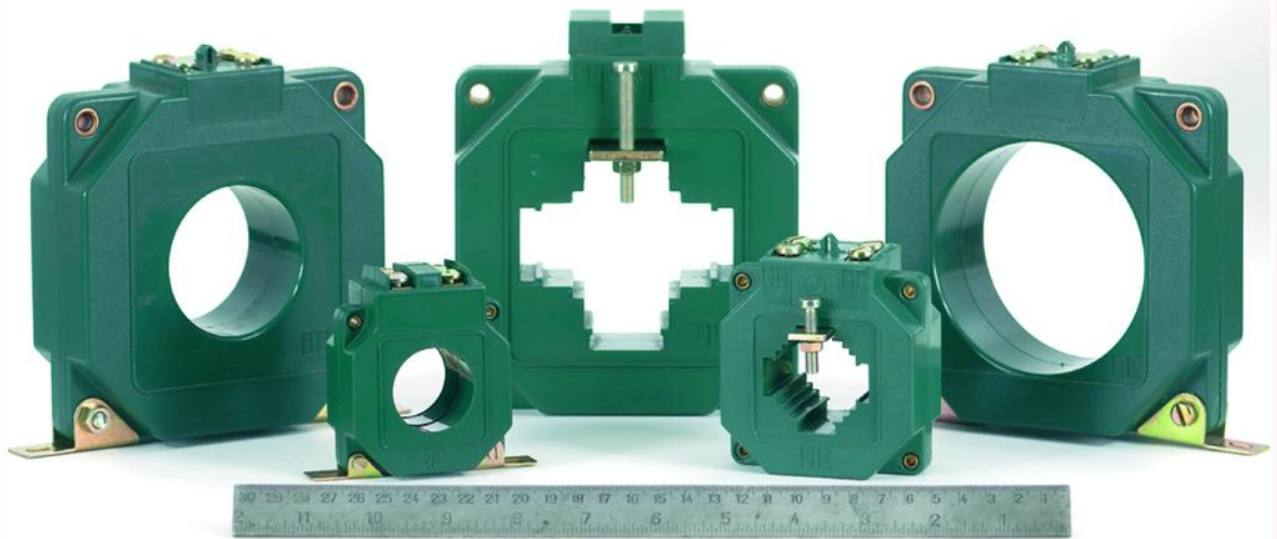


# CT's

Output 4-20mA 2-wire loop-powered



- **Models for 0-10 to 0-2500 amps ac.**
- **Supply 5-35 volts dc.**
- **Accuracy  $\pm 0.5\%$  FS.**
- **SABS approved I.S. versions.**
- **Suitable for cables or busbars.**

**PREI** *instrumentation* (Pty) Ltd

Tel: (011) 448-2172 Fax: (011) 448-2179

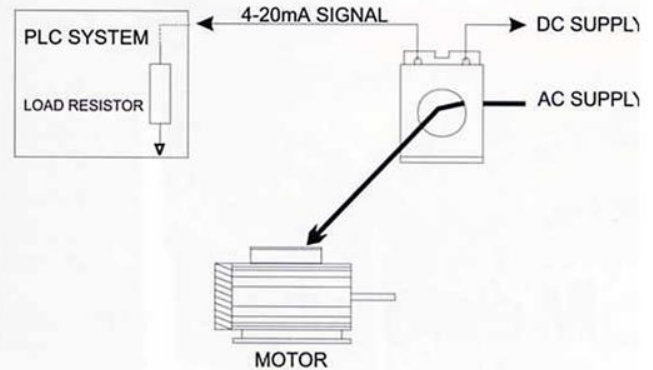
# GENERAL

The TXI range of current transducers convert any monitored AC current, up to 750 A to a proportional (2 wire) 4-20mA output. They are used to monitor motors, pumps, conveyors or any electrical load where an analogue representation is required over the full range of the applied current.

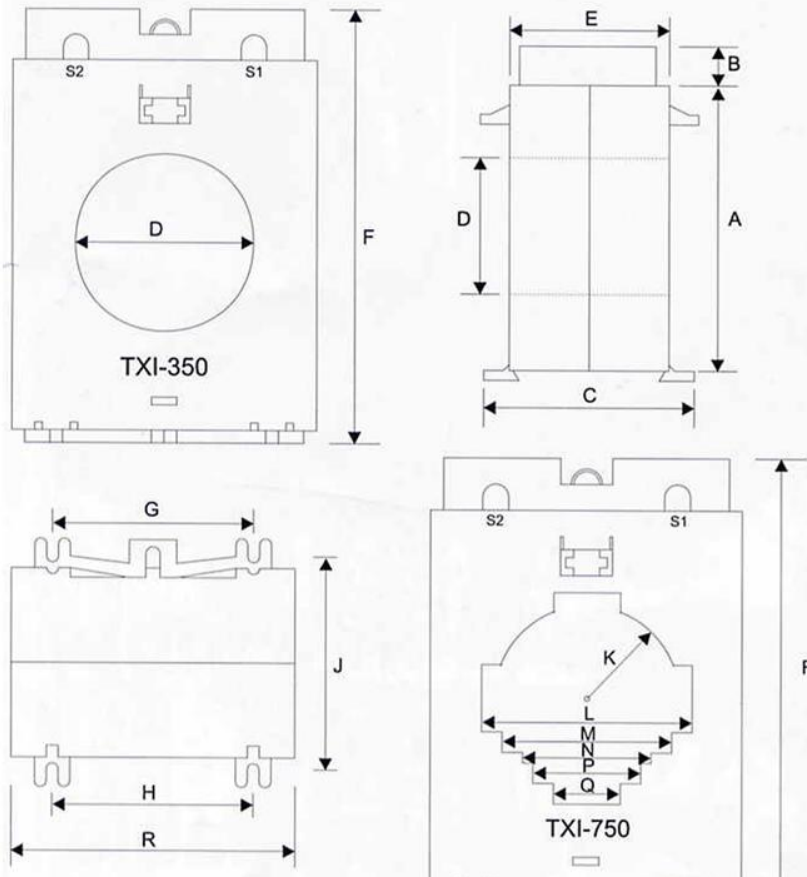
## SPECIFICATIONS

Supply:	5 - 35 VDC
Output:	4-20mA (Max = 25mA)
Ranges:	TXI-350 = (0 - 350) A TXI-750 = (0 - 750) A
Accuracy:	Above 10 A = $\pm 0,5\%$ full scale Below 10 A = $\pm 1\%$ full scale
Response Time:	50 m seconds
Repeatability:	$\pm 0,1\%$ full scale
Frequency:	(25 - 300) Hz
Operating Temp:	-10°C - + 60°C Higher Temperature ranges available on request
Protection:	Reverse Polarity, High Current
Case:	ABS (standard plastic) ABS (flame retardent) on request
I.S. Versions:	TXIS-350 and TXIS-750 available on request

## TYPICAL APPLICATION



## PHYSICAL DIMENSIONS



SYMBOL	TXI-350	TXI-750
A	69.0	82.0
B	18.0	18.0
C	57.0	59.0
D	32.5	N/A
E	41.0	41.0
F	90.0	103.0
G	44.0	44.0
H	43.0	43.0
J	48.5	48.5
K	N/A	18.0
L	N/A	40.0
M	N/A	33.0
N	N/A	28.0
P	N/A	21.0
Q	N/A	13.0
R	64.0	75.0

Note: All measurements in mm

### PART NUMBERS TXI \* - \*\*/ \*\*\*

S if I.S. Version Blank otherwise  
Select 350 range  
Select 750 range  
Insert the required current

SUPPLIED BY